

4605 Vapor Recovery Swivel is compatible with most vacuum assist vapor recovery systems.

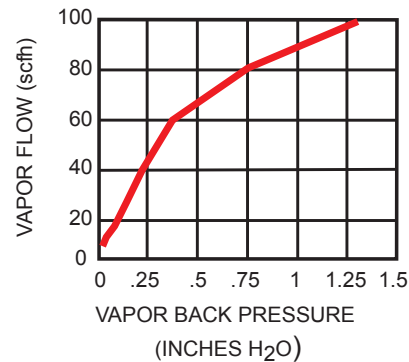
- 360° rotation at each swivel joint.
- Double o-rings at each swivel joint.
- Can be installed at the nozzle or at the dispenser.
- Stainless steel ball bearings and races allow for easy joint movement and reduces friction, thus extending the life of the swivel.
- Has 2 (two) plane rotation.
- Exceptional flow rate and reduced back pressure.
- Lightweight and compact.

New Swivels

MODEL NO.	DESCRIPTION	SHIPPING WEIGHT LBS (KG)
4605	M34 x 1.5" Vapor Swivel	1.0 (.45)
4605A	M34 x 1.5" Vapor Swivel with Atex approval	1.0 (.45)

Construction

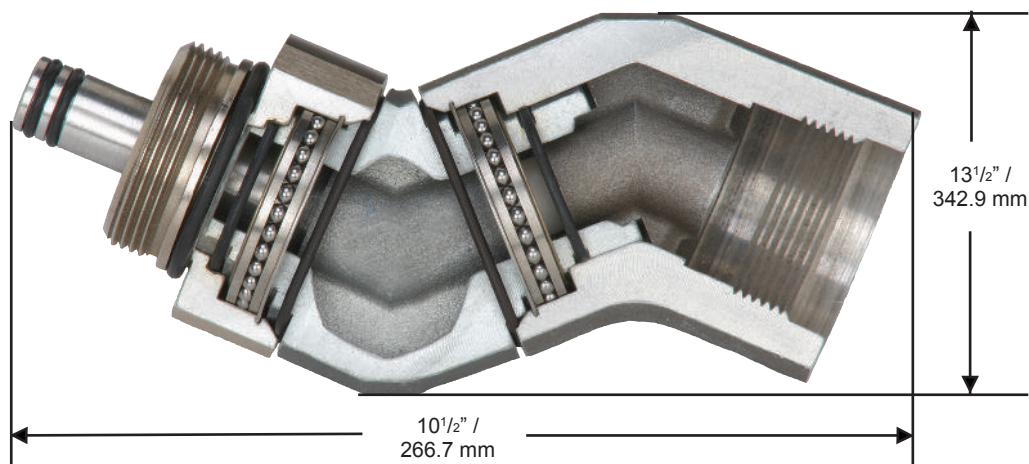
Body	Zinc
Inlet Body	Aluminum
Swivel Nut	Electroless, Nickel Plated Aluminum
Seals	Fluorocarbon
Threads	M34 x 1.5"



California Environmental Protection Agency
AIR RESOURCES BOARD

4605 Vapor Recovery Swivel is compatible with most vacuum assist vapor recovery systems.

Dimensions



2325 Husky Way • Pacific, MO 63069
(800) 325-3558 • Fax (636) 825-7300
www.husky.com • sales@husky.com

MADE IN THE U.S.A. 